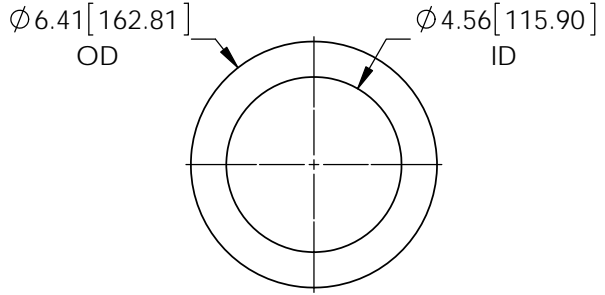
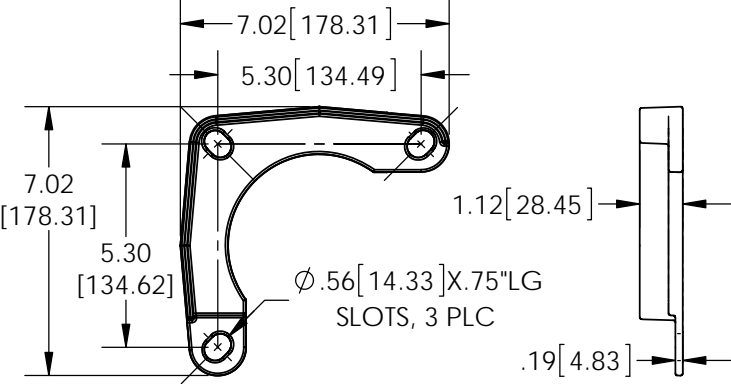
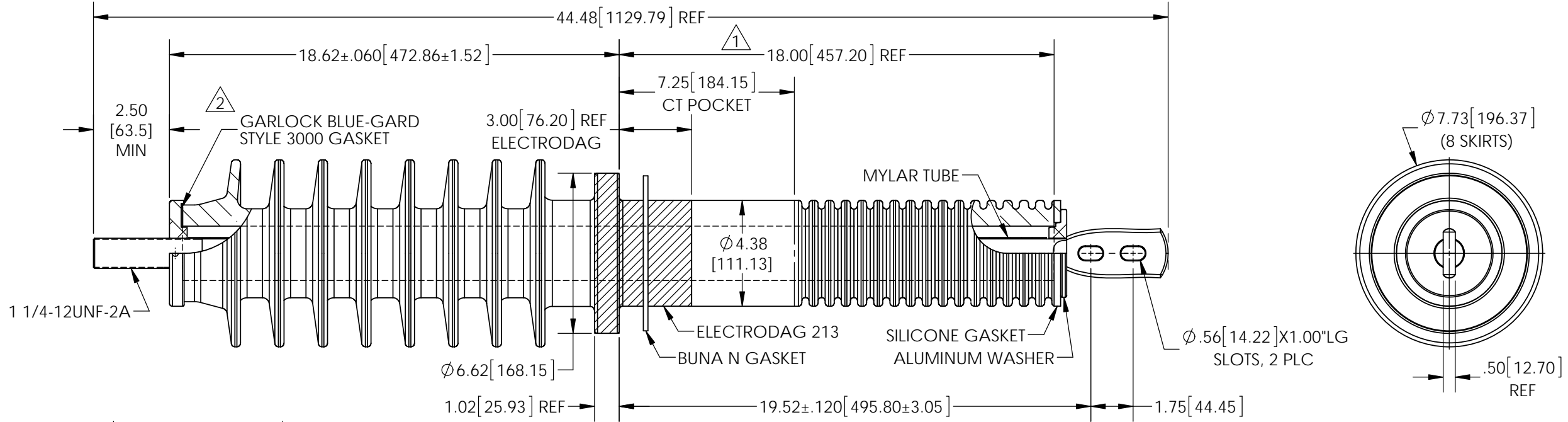


REVISIONS					
REV.	DATE	ECN #	DESCRIPTION	BY	APP'D
1	4/25/14	HJ14-073	MADE 18.00" DIM REF	BS	BLB
2	5/21/2015	HJ15-077	ADDED GASKET.	TJF	BLB



- PORCELAIN NOTES:**
1. WET PROCESS ELECTRICAL PORCELAIN.
 2. GRAY GLAZE MUNSELL 5BG 7.0/0.4
 3. TOLERANCE $\pm 3\%$ WITH NOTHING LESS THAN $\pm .03$ UNLESS NOTED ON DRAWING.
 4. MIN CREEPAGE:.....41.05 [1042.67] TOP
.....21.03 [534.16] BOTTOM
 5. MIN STRIKE DIST:....15.60 [396.24] TOP
....14.55 [369.57] BOTTOM
 6. TOP AND BOTTOM TERMINALS ARE TIN PLATED.

ROOF MOUNTING FLANGE
REQ'D: 2 PER ASSY
MAT'L: ALUMINUM

BUSHING TO ROOF GASKET
REQ'D: 1 PER ASSY
MAT'L: .19" \pm .020" NITRILE BUNA N

PROPRIETARY AND CONFIDENTIAL
THE INFORMATION CONTAINED IN THIS DRAWING IS THE SOLE PROPERTY OF H-J ENTERPRISES, INC. ANY REPRODUCTION IN PART OR AS A WHOLE WITHOUT THE WRITTEN PERMISSION OF H-J ENTERPRISES, INC. IS PROHIBITED.

TOLERANCES (EXCEPT AS NOTED)	
DECIMAL	+/- .032"/.8mm
FRACTIONAL	+/-
ANGULAR	+/- 2 Degrees



H - J ENTERPRISES, INC.
3010 HIGH RIDGE BLVD. HIGH RIDGE, MO. 63049 USA
PHONE 1-636-677-3421 FAX 1-636-376-1915

38KV 150KV BIL BUSHING ASSEMBLY W/ COPPER CONDUCTOR (44.48\"/>

MATERIAL SEE DRAWING

CHK'D CJT APP'D 4/25/14
SCALE N.T.S.

DRAWING NO. AS1462-008

DRAWN BY CMH DATE 6-22-11